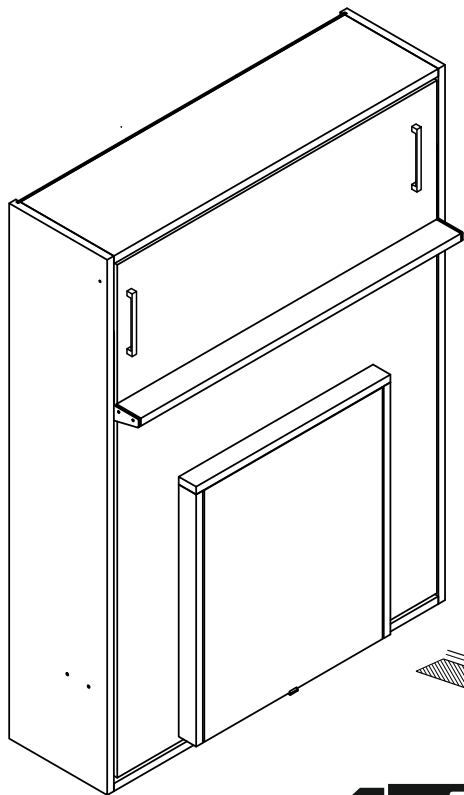


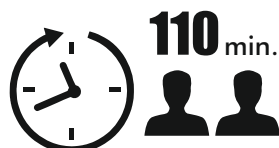


MULTIMO

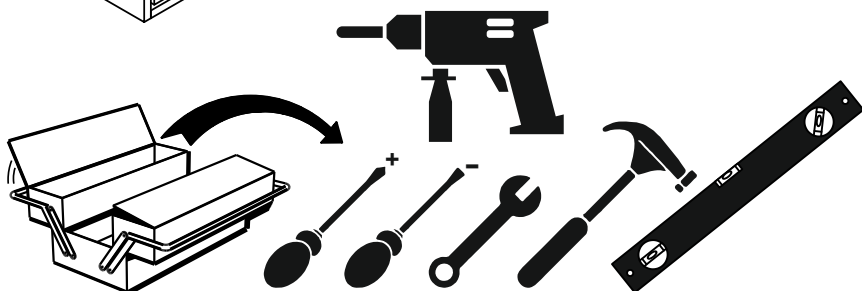
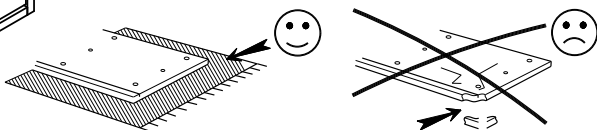
111- F FROGG DESK BED



Technical Service



End User



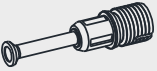


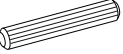
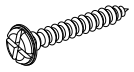
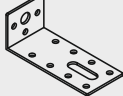
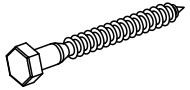


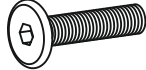

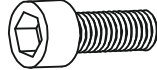


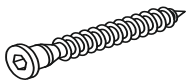

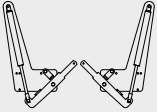
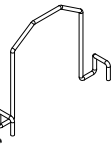



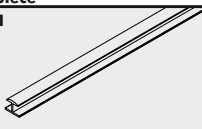
VIDEO

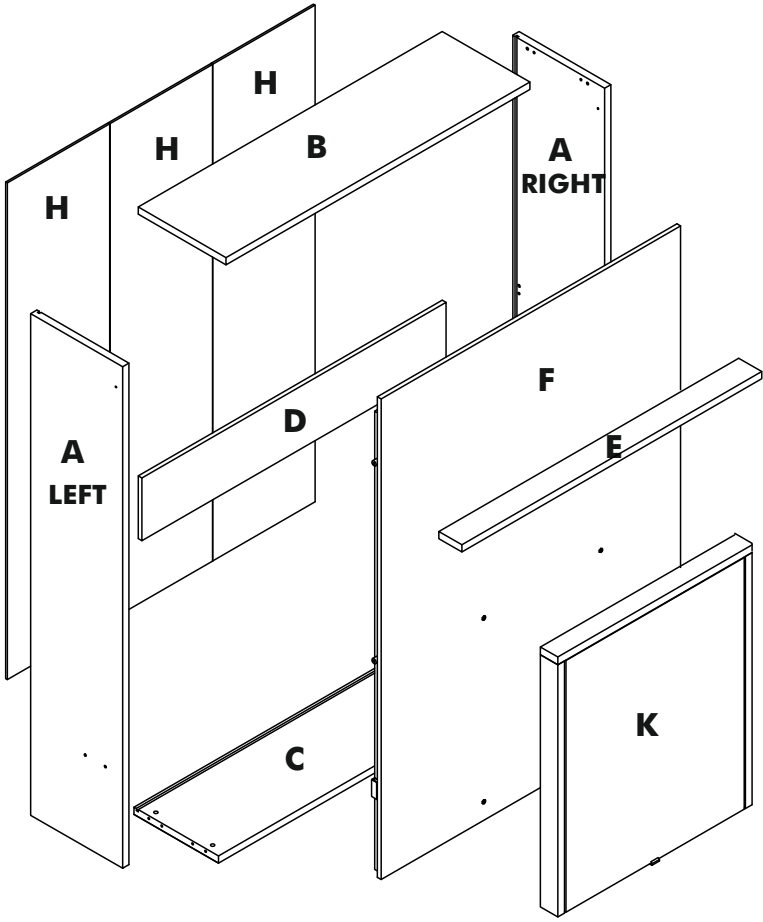


<https://youtu.be/27xGKVtWoi8>

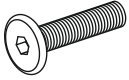


Track Title	Piece	(inch)			(mm)			
		Thickness	Length	Width	Piece	Thick	Height	Most
A		1,18	81,89	17,32	2	30	2080	440
B		1,18	57,32	16,54	1	30	1456	420
C		0,71	57,32	17,32	1	18	1456	440
D		0,71	57,32	10,24	1	18	1456	260
E		1,18	56,61	4,33	1	30	1438	110
F		0,71	78,46	56,46	1	18	1993	1434
H		0,31	81,06	19,29	3	8	2059	490
K		3,07	39,76	34,33	1	78	1010	872

Accessories List

MXN 02  12 / piece VD - 02 (3,5x25) mm	MNG - 01  12 / piece DSE - 01 (40x90x32) mm	OT-054  2 / piece TFC - 01(8x70) mm	KVL 01  12 / piece PL - 02 (8x22x1) mm
 19 / piece VTB - 01 (4,8x16) mm	 3 / piece CT - 01 (6x40) mm	 3 / piece DD - 01 (R10)	 3 / piece IM - 01 (6x30) mm
 12 / piece KP - 01 (224) mm	 2 / piece VKP - 01 (22) mm	 3 / piece VDA - 01 (6,5x50) mm	 4 / piece AVT - 01
 2 / piece MKZ - 02	 4 / piece TTC 01	 4 / piece TAP - 01	 7 / piece TAP - 02
 1 / piece 1200 N	 4 / piece H 01	 12 / piece	 4 / piece
SC - 76  2 / piece	 2 / piece		

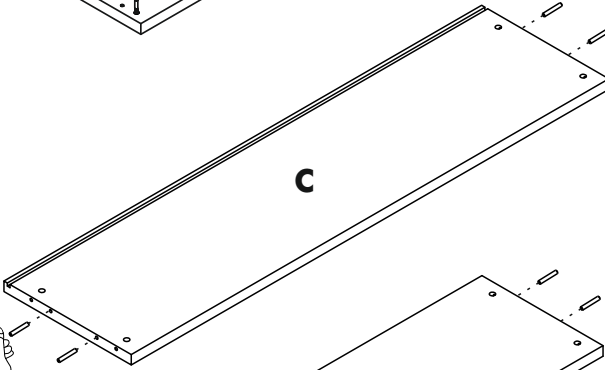
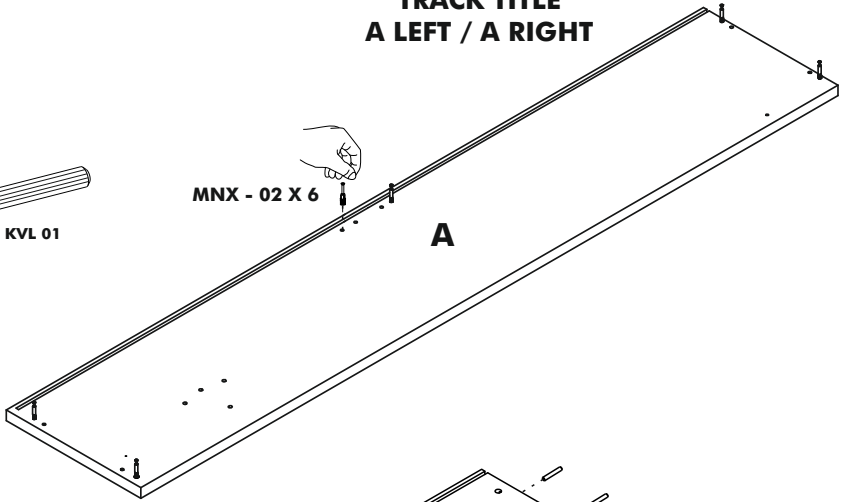


Accessories List DESK

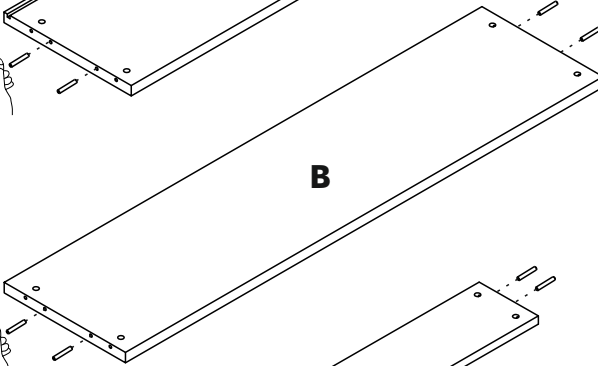
<p>CT - 03 (6x50) mm</p>  <p>4 / piece</p>	<p>SN - 01 (M6)</p>  <p>4 / piece</p>	<p>PL - 03 (6x12x1) mm</p>  <p>4 / piece</p>
---	--	---

STEP 1

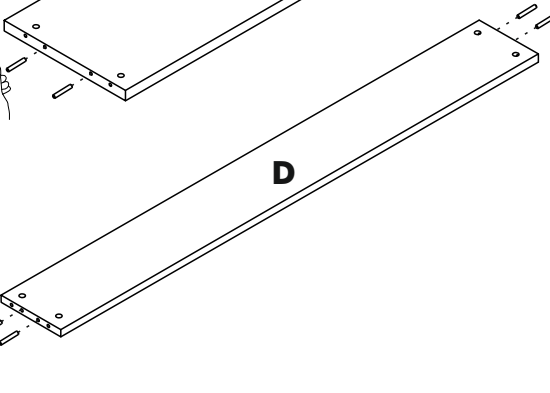
TRACK TITLE
A LEFT / A RIGHT



KVL - 01 X 4



KVL - 01 X 4



KVL - 01 X 4

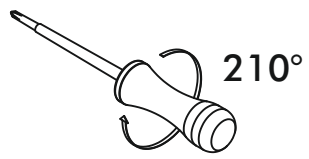
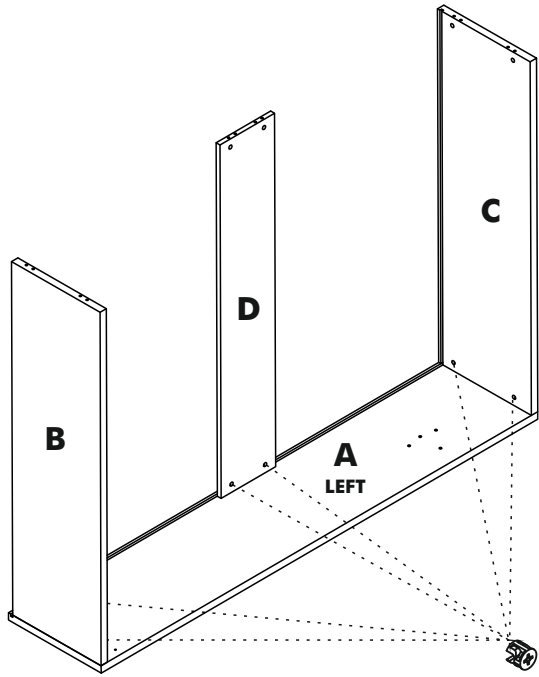


VIDEO

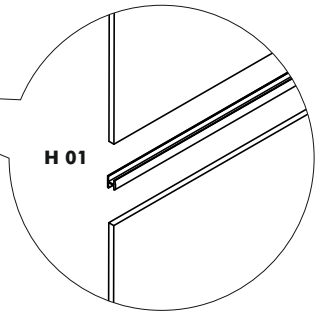
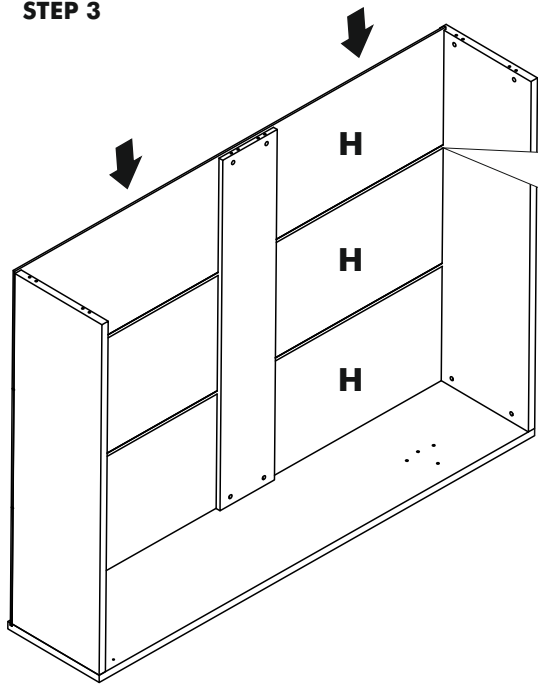


<https://youtu.be/HOhetnTUF0>

STEP 2



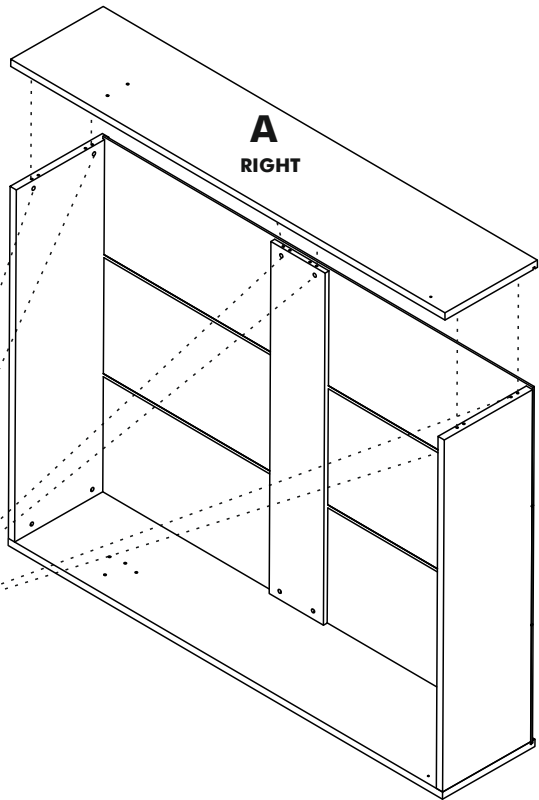
STEP 3



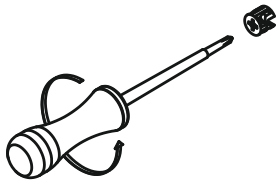
VIDEO



STEP 4



MNG - 01 x 6



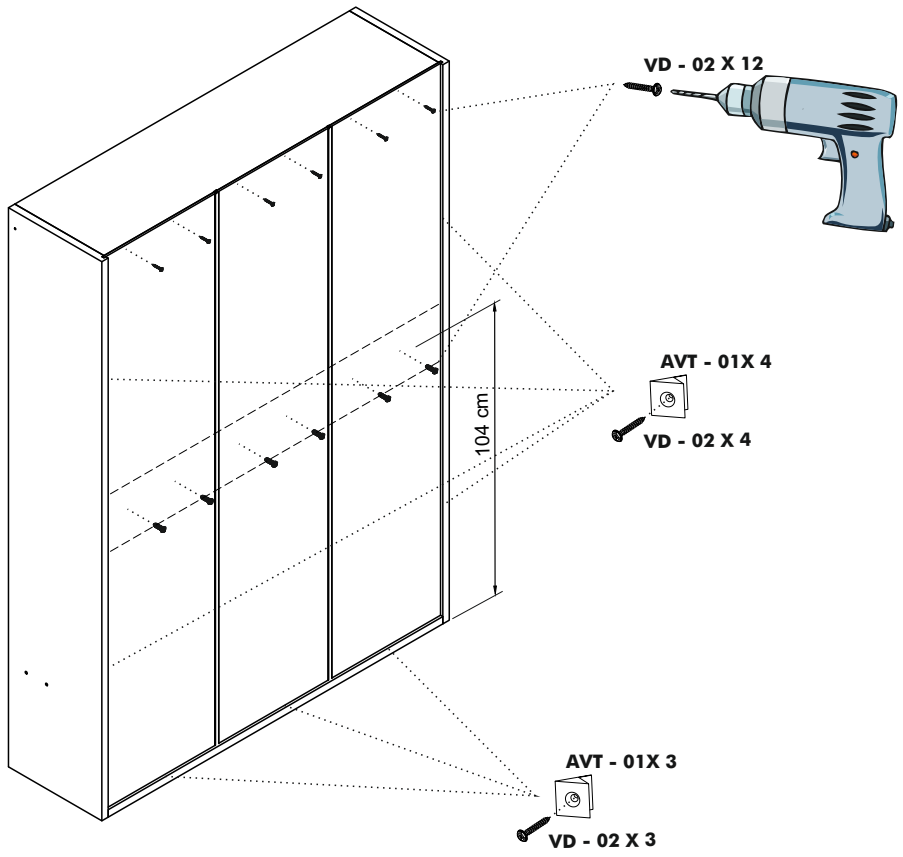
210°

VIDEO



<https://youtu.be/SshqN8VK7ac>

STEP 5

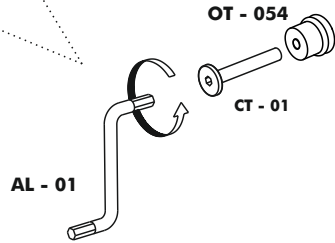
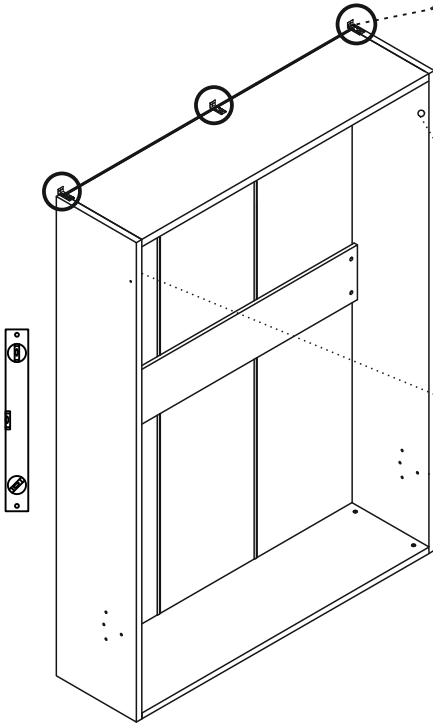
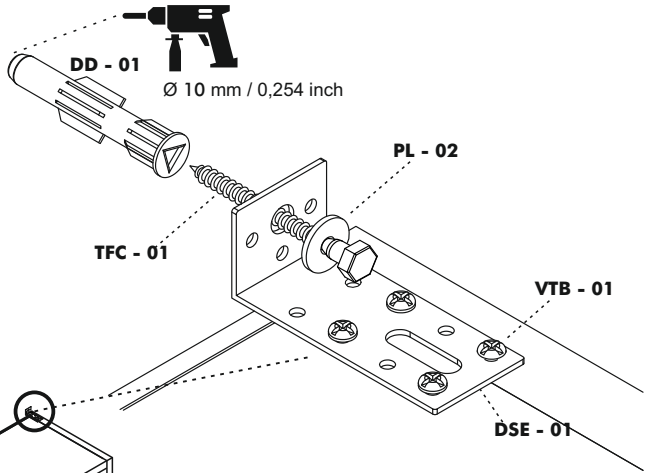


VIDEO



<https://youtu.be/S7Pd6HMJuIM>

STEP 6



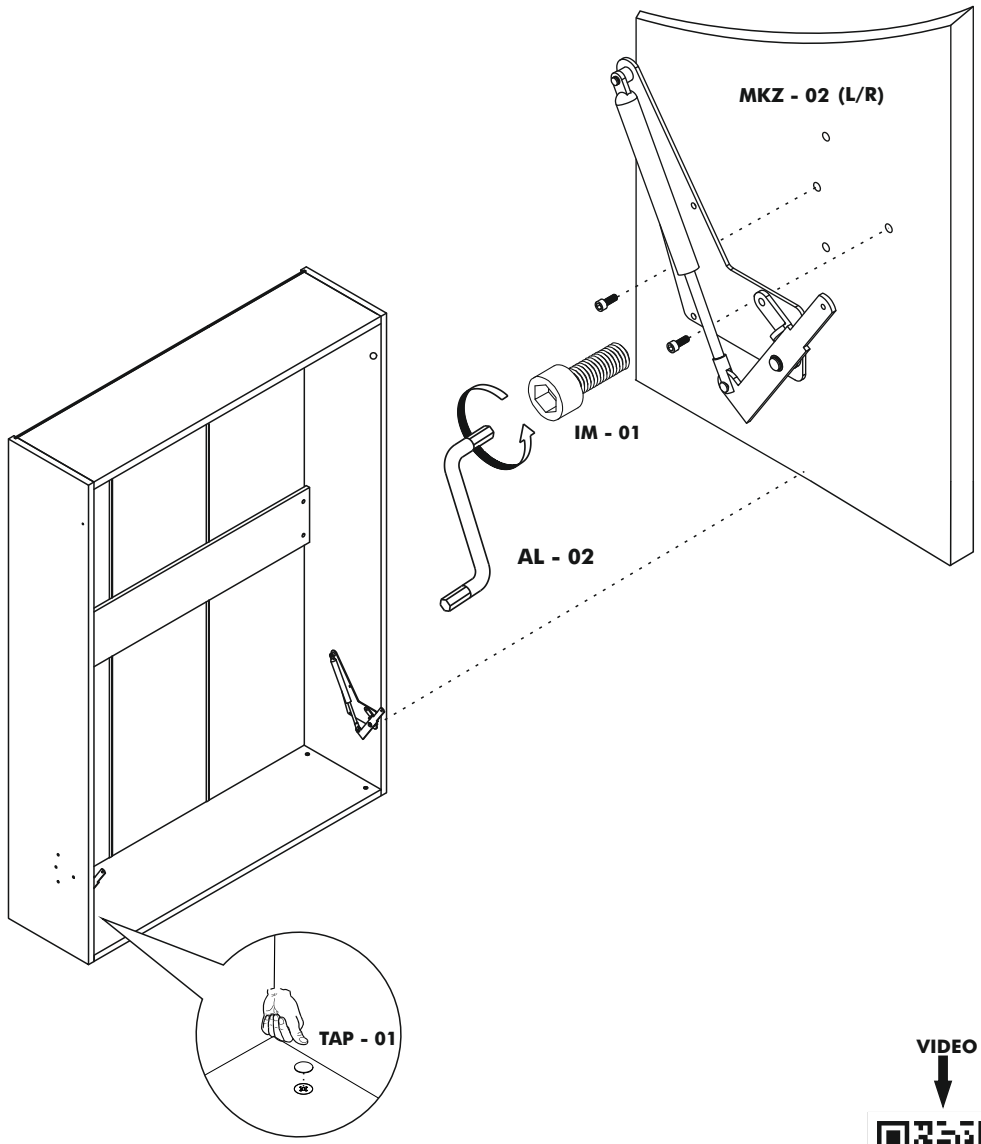
VIDEO



<https://youtu.be/vxFGO8BmKZ>

STEP 7

CAUTION
DO NOT UNLOCK
BEFORE INSTALL

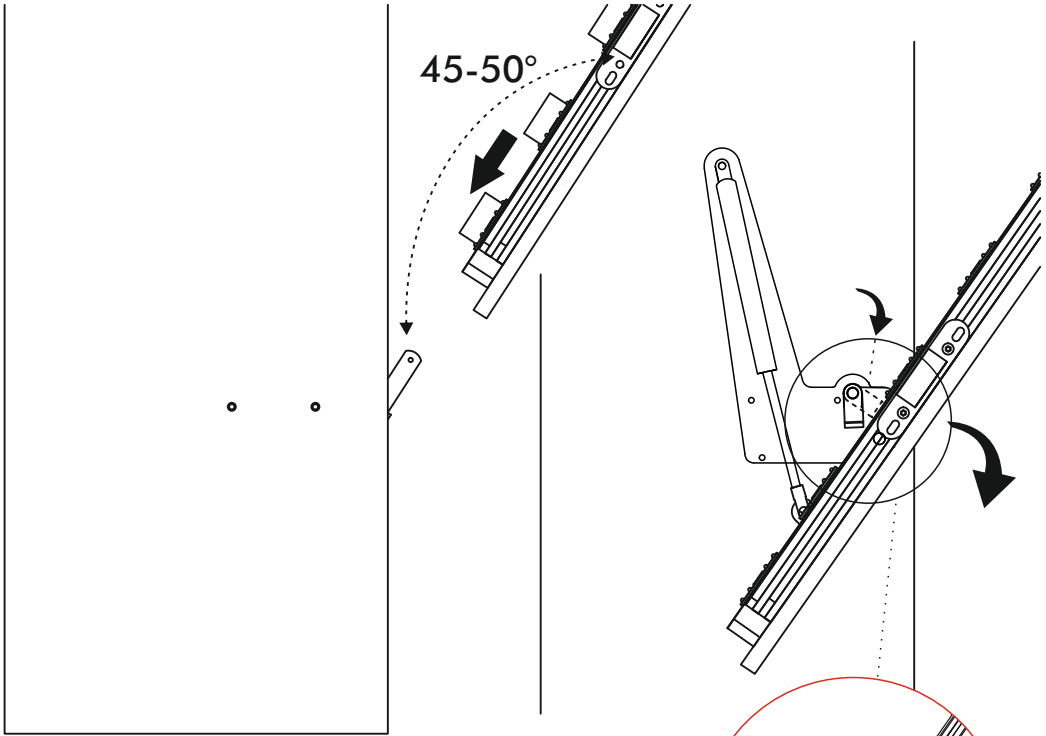


VIDEO

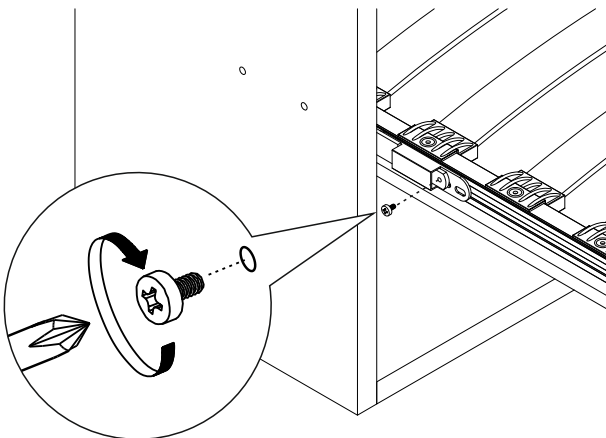
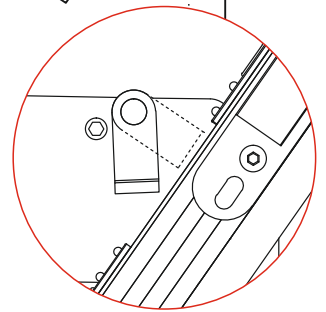


<https://youtu.be/dYUySpFab0>

STEP 8



LET THE STOPPER LOCK MOVE DOWN !!!

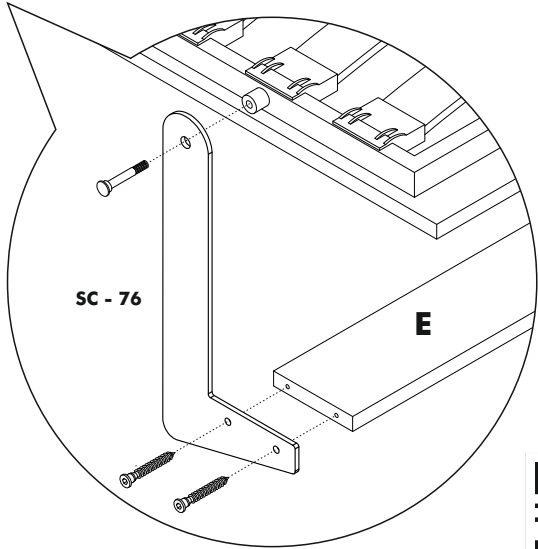
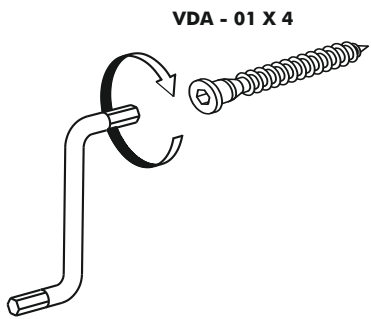
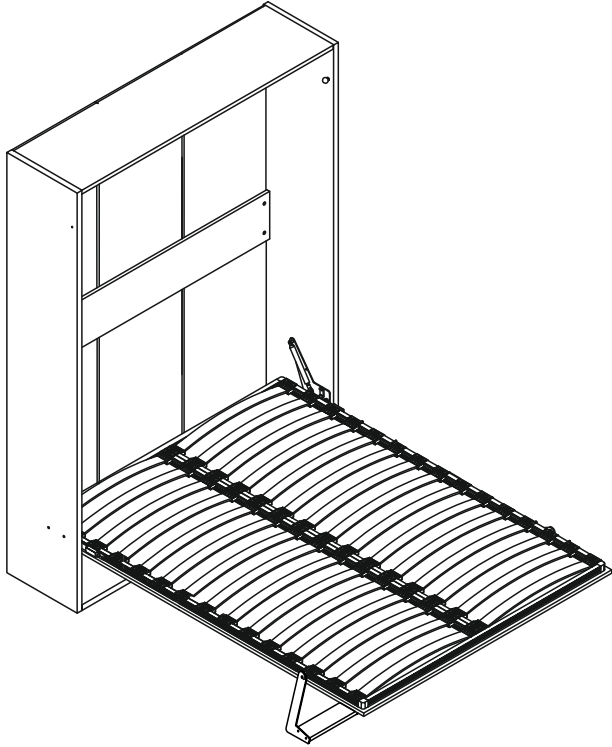


VIDEO



<https://youtu.be/xg7ieYupWWI>

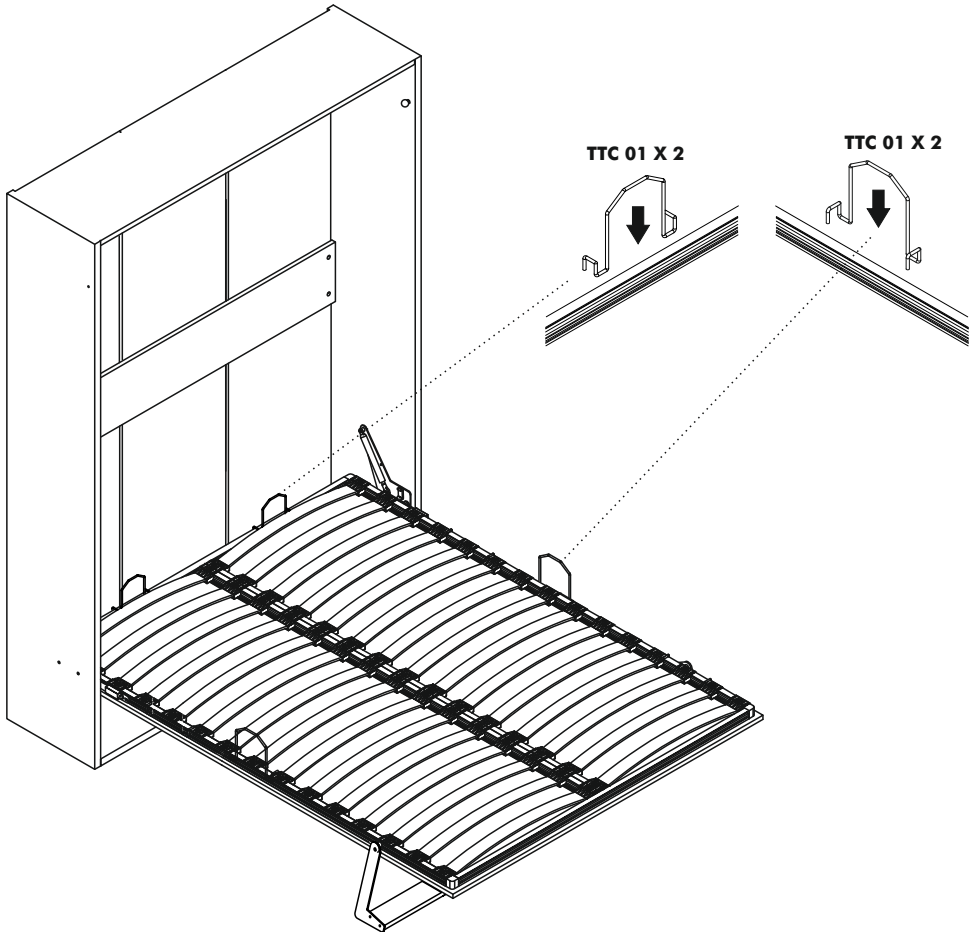
STEP 9



VIDEO



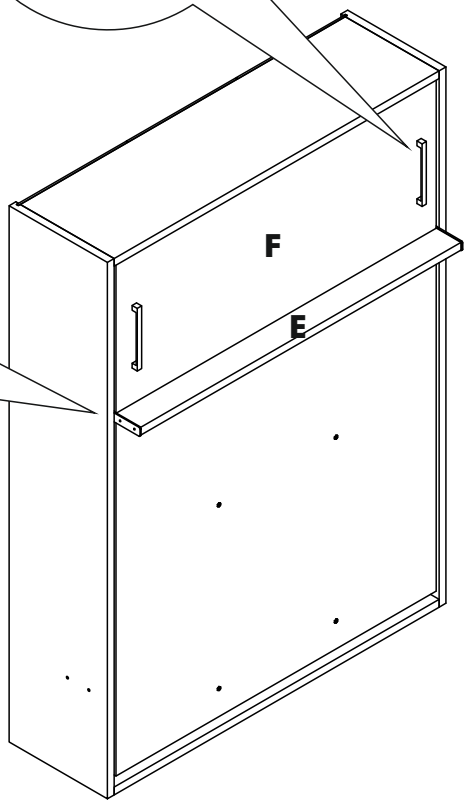
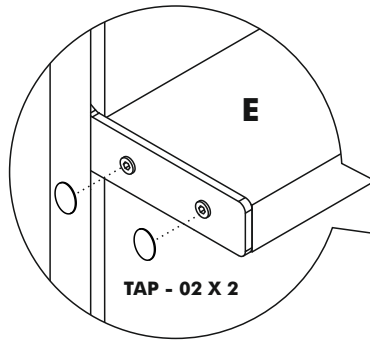
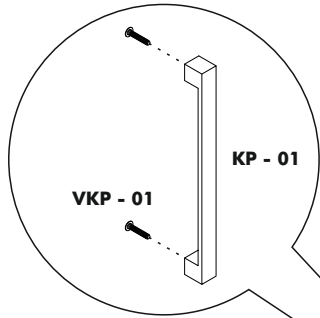
STEP 10



VIDEO



STEP 11

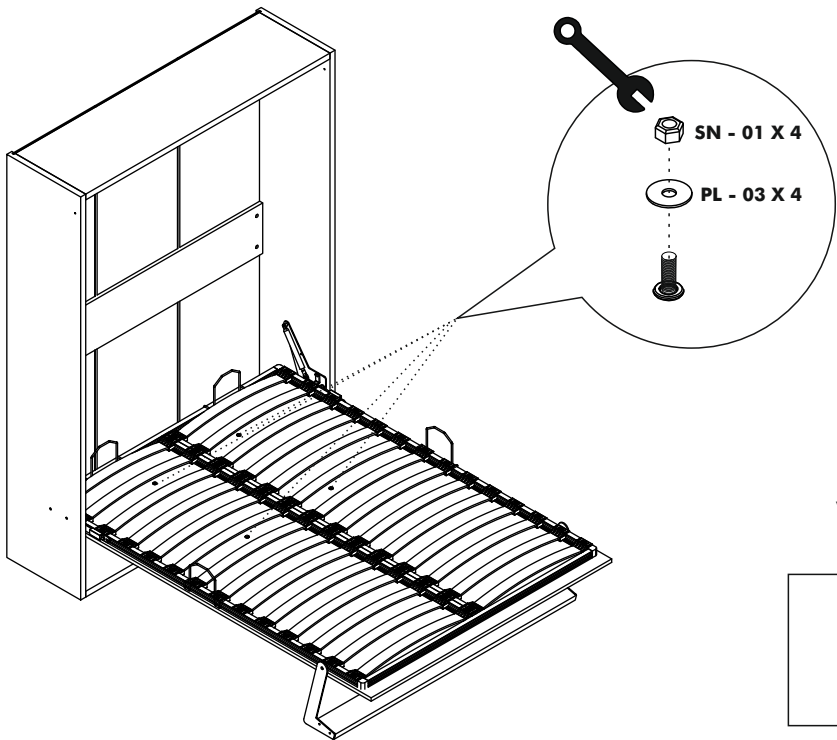
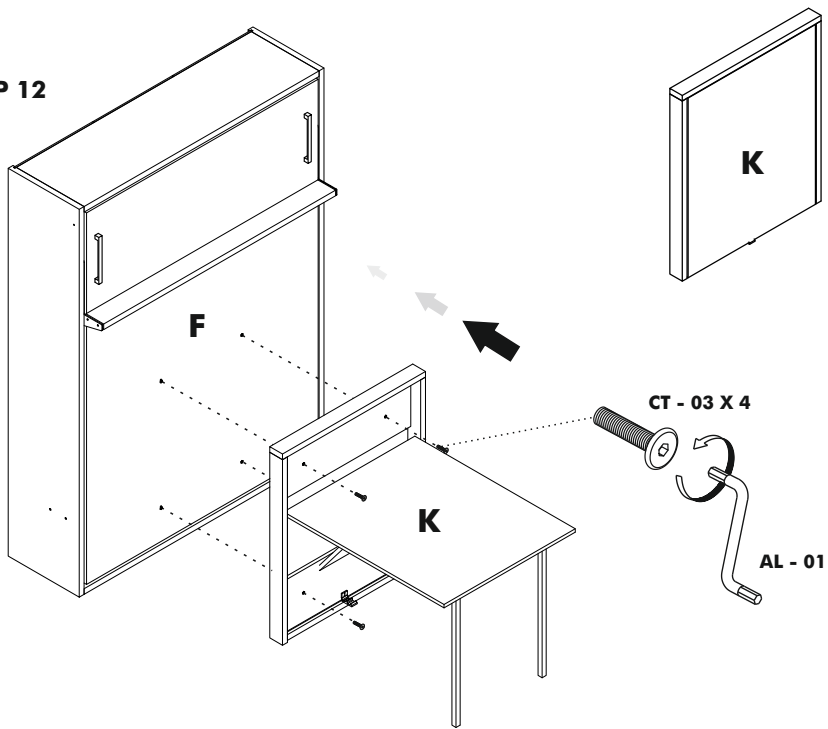


VIDEO



<https://youtu.be/i8NzEUPaZ4s>

STEP 12



ATTENTION / HOW TO / READ ME / OWNER'S GUIDE

1. When mounting on a regular drywall, furniture must be fastened to wood or metal studs. Solid walls made of brick, concrete or similar strong material are also acceptable. Do not mount furniture to paper-mache or sheet rock like material without properly attaching to stud.
2. For safety and product longevity you must periodically inspect the mounting and mechanical connections for integrity and tightness. Confirm hardware remains properly affixed and connections snug.
3. Wall Bed mattress thickness may not exceed 8 inch. Take care to remove pillows and excess blankets before closing. Doing so keeps mechanism free of obstruction and unnecessary stress.
4. Do not lean or rest heavy objects on side or top of furniture. This may cause balance issues and compromise the integrity of your mounting connections.
5. Please use the furniture's beds, desks and shelving as intended. Not designed to be sat, stood, leaned, jumped (etc) on. Improper use may cause personal injury and damage to property.
6. With seasonal humidity change you must inspect interior and exterior of furniture.
7. Single, Twin, Twin XL beds accommodate the weight of one person. Improperly sleeping more than one person risks injury to person and damage to property.
8. Before any un-mounting or disassembly please contact Multimo for technical support and instruction. Failure to properly detach risks injury to person and damage to property.
9. For Bunk Beds:
 - a. Always use provided ladder when accessing top bunk.
 - b. Be slow, careful and aware of surroundings when opening top bunk.
 - c. Do not horseplay. Beds are to be slept on only.
 - d. Some have legs that fully extend when open- be aware of where the leg is and will be.



MULTiMO

www.multimo.com